

SureDeliver® – Product White Paper

Business Networks International Inc.

Overview

SureDeliver® is an automated electronic data transport system that is highly secure, highly reliable (guaranteed delivery with duplicate correction), and open standards based. This white paper discusses the applicability of SureDeliver® in Healthcare, Health Insurance, Public Health and Financial Markets.

Business Case

Businesses are increasingly distributed yet inter-dependent and need to share potentially sensitive business data. Such data needs to be sent across different regional offices of the same business or across partner businesses (e.g., members of a supply chain) using the Internet as the communication medium. For instance, financial information is sent from a regional office to a corporate headquarters over the Internet. A hospital or a regional public health agency does public health reporting of potentially sensitive data to the CDC over the Internet. A clinic sends periodic batches of insurance claims files to a health insurance plan for processing.

The above forms of data transport have the following things in common:

- They all need a high degree of security. The sending organization must be sure that the data goes to the right recipient, and the receiving organization must be sure that the data came from the right sender. Both organization must be able to hold the other accountable for the transaction (data sent, data received), and both must have a high level of assurance that no one else has accessed this data in transit.
- They require a high degree of reliability. Businesses want to minimize the time and resources to troubleshoot network/connectivity issues to re-send information that has failed to be delivered, or to detect duplicate submissions of the same information.
- Reliability and security should not raise complexity for end users. Ideally, it should be transparent.

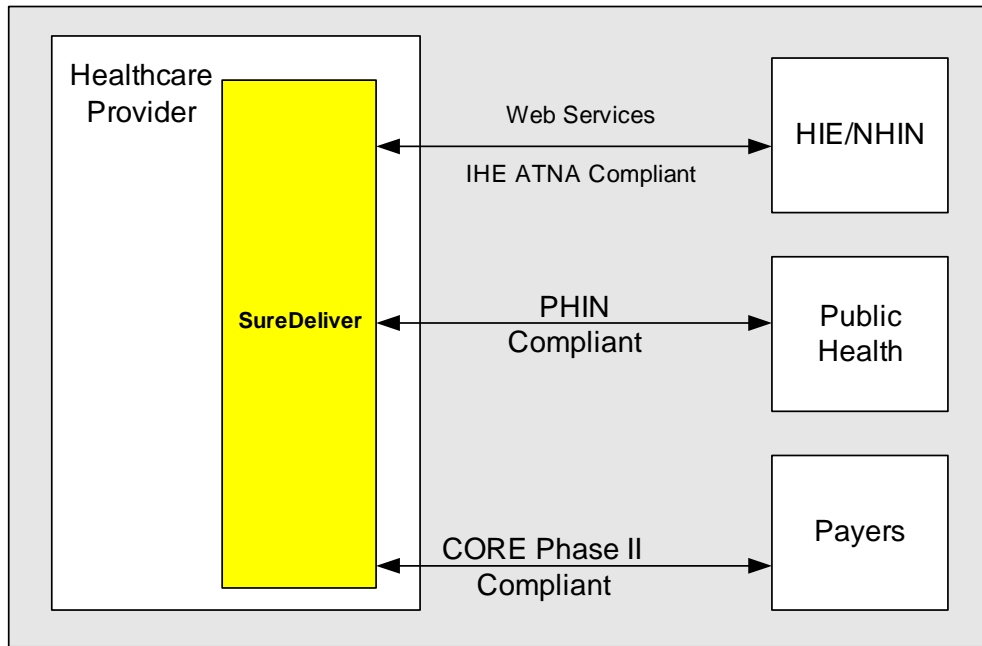


SureDeliver® is a secure and reliable business-to-business over-the-Internet transport system that is based on open standards. It is designed to be used as a message transport gateway between organizations, such that it can send and receive messages reliably and securely (with node authentication and data encryption in addition to TLS/SSL encryption) over the Internet. SureDeliver® is highly interoperable, written to open standards such as Web Services Reliable Messaging, ebXML, SOAP and HTTP+MIME.

Healthcare Data Transport

SureDeliver® supports many open standards that are specific to healthcare, public health and health insurance data transport, making it an ideal gateway for healthcare providers

to connect to health information exchanges, to public health and to health plans, as shown in the diagram below.



SureDeliver[®] interoperates with Center for Disease Control and Prevention (CDC)'s PHINMS, state level HIEs. It also adheres to standards for interoperability with NHIN, and the CAQH CORE Phase II Connectivity Rule for interoperability between healthcare providers and payers. SureDeliver[®] is feature-rich and highly integrated, easy to use. It is based on open standards. Please visit SureDeliver.com or email: info@SureDeliver.com.